

# ML2L141RR6

## 6" Recessed Retrofit Fixtures



### FEATURES:

- Energy Star Qualified
- Maintenance free for up to 13 Years
- Mercury free; no UV, RoHS Compliant
- Compatible with many dimming controls. See complete list on Pg.3
- High quality polycarbonate lens.
- 5 Year Limited Warranty
- Dry listed. Suitable for damp locations when installed in a housing with an IP rating of 65

### CONSTRUCTION:

**Fixture:** Proprietary heat sink is fabricated from aluminum

**Lens:** Polycarbonate lens

**LED Module:** LED array features a chip on ceramic technology which maximizes thermal dissipation

**LED Driver:** Self contained driver meets UL 1310 UL 48 Class2.

**Finish:** White or Brushed Nickel finish.

**Installation:** UL classified for most 6" housings (See full list on Pg.3)

Guaranteed single bin color consistency with enhanced illumination uniformity.

#### Luminaire Ordering Information:

WATTS	ORDER CODE	MODEL NUMBER	DELIVERED LUMENS	CRI	LAMP LIFE (Hrs)	DIMENSIONS (W"xH")	K
14	71267	ML2L141RR6W30	600	80	50,000	7.28 x 4.94	3000
14	71268	ML2L141RR6NI30	600	80	50,000	7.28 x 4.94	3000
14	71178	ML2L141RR6W50	600	80	50,000	7.28 x 4.94	5000
14	71179	ML2L141RR6NI50	600	80	50,000	7.28 x 4.94	5000

MAX11285-08-24

PROJECT NAME
CATALOG NUMBER
NOTES
FIXTURE TYPE



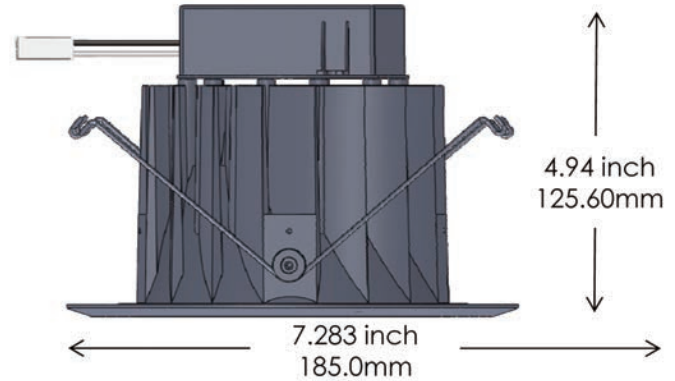
Lighting layouts and spacing criteria available upon request



## SPECIFICATIONS:

Item	Specification	Details
<b>General Performance</b>	Spacing Criteria	Available upon request
	Color Temperature	3500K or 5000K
	Lumens Delivered	600
	Efficacy	44 lumen/watt
	Color Consistency	Proprietary binning for uniform color
	Lumen Maintenance (L70)	50,000 hours
<b>Electrical</b>	Power Factor	.92%
	Input Voltage	110/120V 50/60 Hz
	Power Consumption	14 Watts
<b>Physical</b>	Dimensions	7.28" x 4.94"
	Weight	3 lbs
	Housing	Aluminum
	Lens	Polycarbonate
	Mounting	Fits most 6" recessed housings
	Operating Temperature	-30°F to 130°F
<b>Certification</b>	Certification	UL, Energy Star
	Material Usage	RoHS compliant; no mercury
	Environment	Indoor
	LED Class	N/A

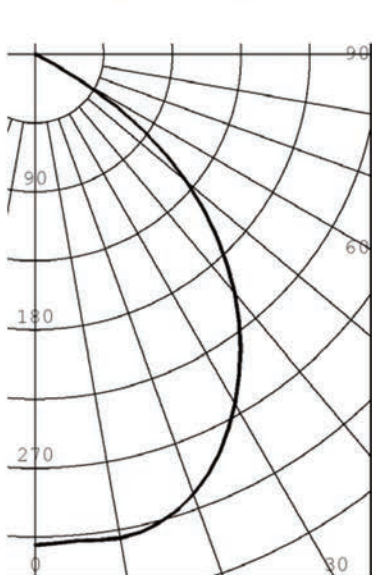
## DIMENSIONS:



Lighting layouts and spacing criteria available upon request

## PHOTOMETRICS:

**Candela Distribution**

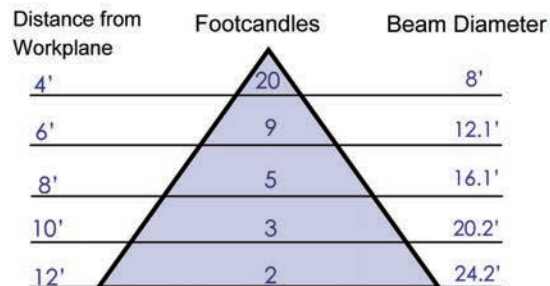


Angle	Candela
0	320
5	319
10	321
15	316
20	305
25	286
30	262
35	235
40	203
45	168
50	130
55	86
60	36
65	5
70	3
75	2
80	0
85	0
90	0

**Zonal Lumen Summary**

Zone	Lumens	% Luminaire
0 - 30	251	40.89
0 - 40	397	64.65
0 - 60	601	97.92
0 - 90	614	100.00
40 - 90	217	35.35
60 - 90	13	2.08
90 - 180	0	0
0 - 180	614	100.00

**Illuminance Cone Diagram**



## COMPATIBLE DIMMERS:

### Compatible Dimmers:

Cooper, Aspire Series (Part numbers 9530XXX)  
 Leviton, Illumitech Series (Part numbers IPI06-XXX)  
 Leviton, Trimatron Series (Part numbers 6602-X, 6681-X, 6683-X, 6684-X, 700-X and 705-X)  
 Leviton, SureSlide Series (Part Numbers 6631)

Leviton, True Touch Series (Part Number 6606-1LM)  
 Lutron Skylark Series (Part Number S-600, S2-LH)  
 Lutron, Maestro Series (Part Numbers MAW-600)  
 Lutron Nova T Series (Part number NTELV-600)  
 Lutron Faedra (Part Number FAELV-500-XX)  
 Leviton Acenti (Part Number ACE06-XXX)  
 Leviton Vizia (Part Number VZE04)

## COMPATIBLE 6" HOUSINGS:

Retrofit Conversion Model #	Recessed Luminaire and Trim Manufacturer	Recessed IC Luminaire Model #s	Recessed Non-IC Luminaire Model #s
*DL6	Halo	*H7ICT, H7ICAT, H7RICT, H7ICTNB, H7ICATNB, H7T, H7RT, H7TNB, H7UICT, H7UICAT, H7RICAT, ET700, EI700R, EI700, EI700AT, EI700NB, EI700ATNB, ET700R, EI700RAT, EI2072RAT, EI2072AT, EI700U, EI700UAT	-
	Capri Lighting	CR1, QL1, PR1	QL1
	Juno	IC22, IC22R, IC2	TC2
	Thomas	PS1	-
	ELCO	EL7IC, EL7ICA, EL7IC100A, EL7RICA	R10H, RR10H
	Ruud/ E-Conolight	E-RIN6AT	-
	Ruud	R7EIC, R7RIC, R7ICAT	R7, R7R
	Lithonia	LC6	LC6
	Prescolite	DBX, DBXQC, RMNICD, RMNICDAT, IBXHW	DBX, DBXQC, RMNICD, RMNICDAT, IBXHW

